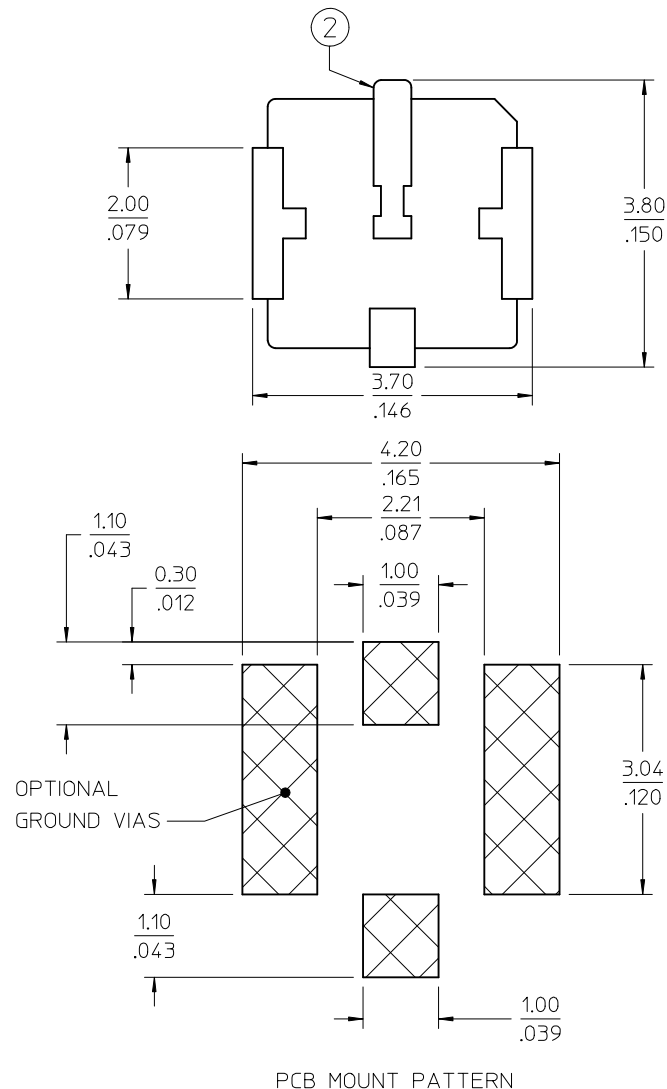
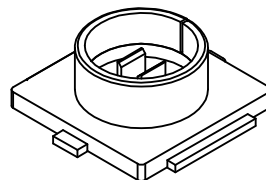
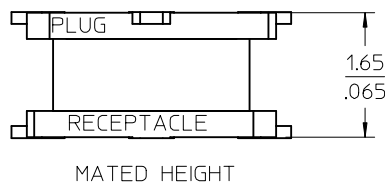
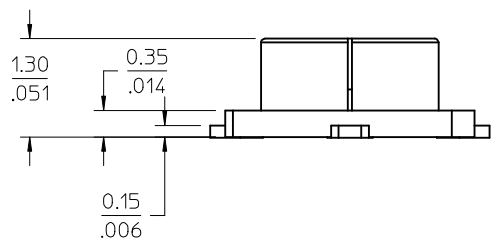


MATERIAL AND FINISHES:

- (1) INSULATOR: LCP
- (2) CONTACT: PHOSPHOR BRONZE PLATED GOLD
- (3) BODY: PHOSPHOR BRONZE PLATED GOLD
- (4) TAPE: PS
- (5) TAPE COVER: PS



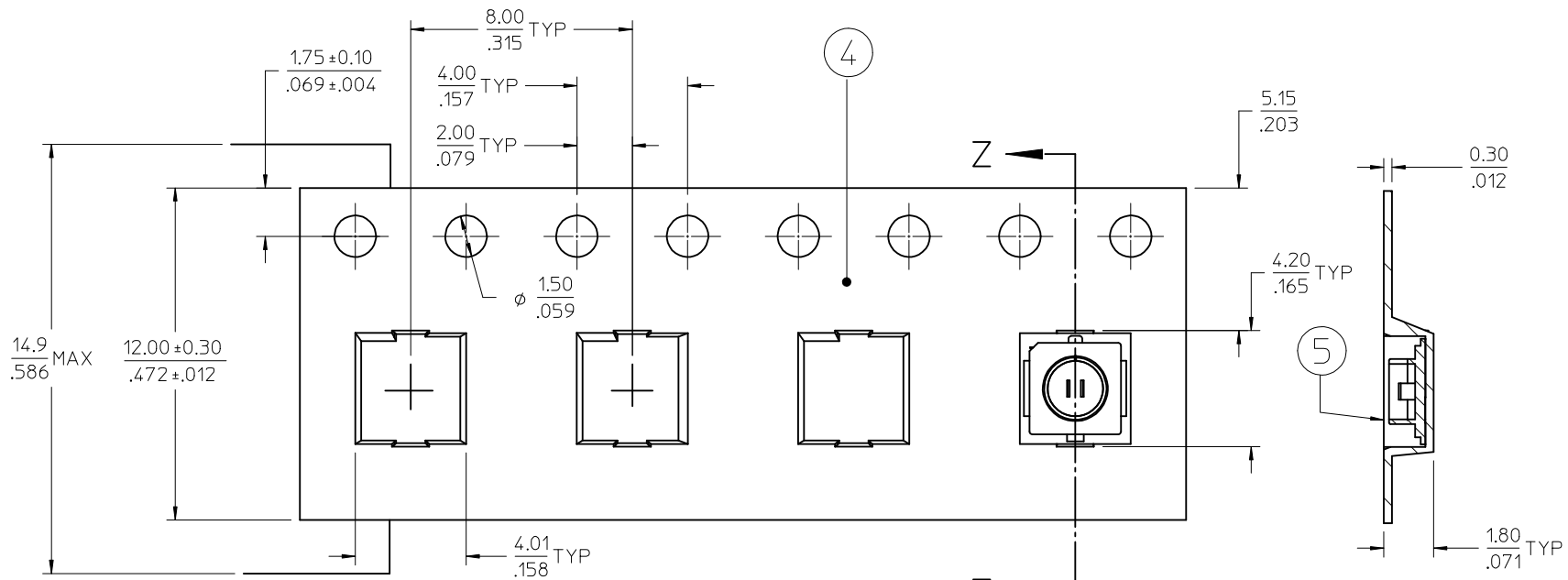
PCB MOUNT PATTERN

PS-73598-0210	PRODUCT SPEC
SPECIFICATION	DESCRIPTION

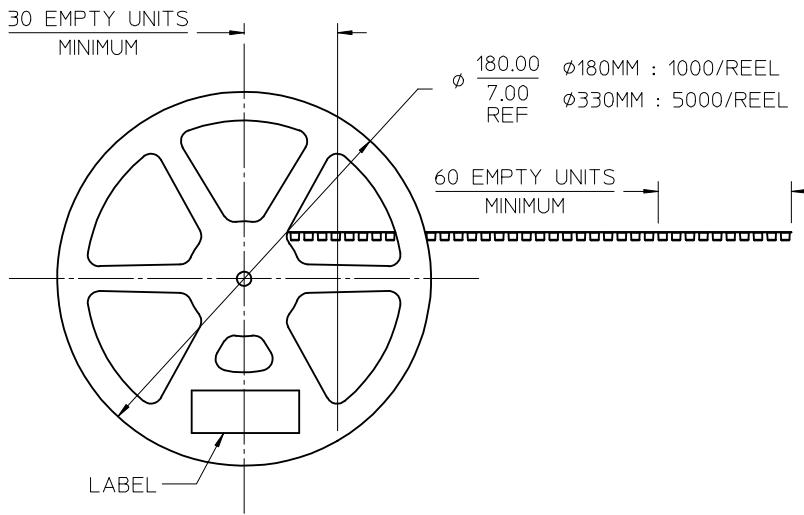
73412-5001	TAPE AND REEL (1000/REEL)
73412-5000	TAPE AND REEL (5000/REEL)
PART NO.	PACKAGING

CHG: UPDATED REVISION	EC NO: URF2009-0765	QUALITY SYMBOLS ▽=0 ▽=0
	DRWN: WIENER 2009/06/23	
	CHKD: SHAH 2009/06/23	
	APPR: WIENER 2009/06/23	
	DESCRIPTION	

GENERAL TOLERANCES (UNLESS SPECIFIED)		DIMENSION STYLE MM/IN		SCALE	DESIGN UNITS METRIC	THIRD ANGLE PROJECTION
4 PLACES	± --- ± ---	mm	INCH	DRAWN BY JYL	DATE 2008/10/23	<b>U.FL PLUG PCB PCB EWR-3797</b>  <b>MOLEX INCORPORATED</b>
3 PLACES	± --- ± ---			CHECKED BY SSS	DATE 2008/10/23	
2 PLACES	± --- ± ---			APPROVED BY JDW	DATE 2008/10/23	
1 PLACE	± --- ± ---			MATERIAL NO. <b>SEE TABLE</b>	DOCUMENT NO. <b>SD-73412-500</b>	
ANGULAR ± 2 °		DRAFT WHERE APPLICABLE MUST REMAIN WITHIN DIMENSIONS		SHEET NO. 1 OF 2		



SECTION Z-Z



$\phi$  180.00  $\phi$ 180MM : 1000/REEL  
 $\phi$  7.00  $\phi$ 330MM : 5000/REEL  
 REF

CHG: SEE SHEET 1 EC NO: URF2009-0765 DRWN: JWIENER 2009/06/23 CHKD: SSHAH 2009/06/23 APPR: JWIENER 2009/06/23	QUALITY SYMBOLS $\nabla=0$ $\nabla=0$	GENERAL TOLERANCES (UNLESS SPECIFIED) <table border="1"> <thead> <tr> <th></th> <th>mm</th> <th>INCH</th> </tr> </thead> <tbody> <tr> <td>4 PLACES</td> <td>± ---</td> <td>± ---</td> </tr> <tr> <td>3 PLACES</td> <td>± ---</td> <td>± ---</td> </tr> <tr> <td>2 PLACES</td> <td>± ---</td> <td>± ---</td> </tr> <tr> <td>1 PLACE</td> <td>± ---</td> <td>± ---</td> </tr> </tbody> </table>		mm	INCH	4 PLACES	± ---	± ---	3 PLACES	± ---	± ---	2 PLACES	± ---	± ---	1 PLACE	± ---	± ---	DIMENSION STYLE <b>MM/IN</b>	SCALE DESIGN UNITS <b>METRIC</b>	THIRD ANGLE PROJECTION
		mm	INCH																	
	4 PLACES	± ---	± ---																	
	3 PLACES	± ---	± ---																	
2 PLACES	± ---	± ---																		
1 PLACE	± ---	± ---																		
REV A	DRAFT WHERE APPLICABLE MUST REMAIN WITHIN DIMENSIONS	MATERIAL NO. <b>SEE SHEET 1</b>	DRAWN BY JYL DATE 2008/10/23	TITLE <b>U.FL PLUG PCB          PCB          EWR-3797</b>	MOLEX INCORPORATED															
		SIZE C	CHECKED BY SSS DATE 2008/10/23	APPROVED BY JDW DATE 2008/10/23	DOCUMENT NO. <b>SD-73412-500</b>															
			THIS DRAWING CONTAINS INFORMATION THAT IS PROPRIETARY TO MOLEX INCORPORATED AND SHOULD NOT BE USED WITHOUT WRITTEN PERMISSION	SHEET NO. <b>2 OF 2</b>																